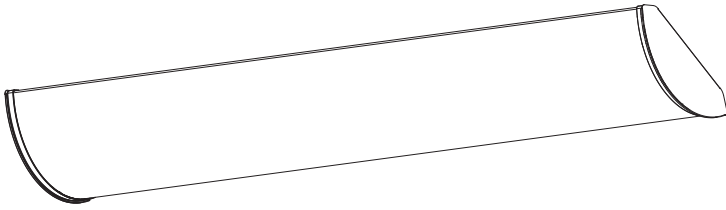


sunlite®

INSTALLATION INSTRUCTIONS

85290-SU | LED WRAP AROUND FIXTURE



Please read and understand this entire manual before attempting to assemble, operate or install the product.

WARNING: Avoid fire or electric shock. Follow installation instructions carefully. If unsure about electrical installation, consult a qualified electrician. Wear rubber-soled shoes and work on a sturdy wooden ladder. Ground fixture to avoid potential electric shock. Handle metal parts carefully to prevent cuts. To avoid a hazard to children, account for all parts and destroy all packing materials.

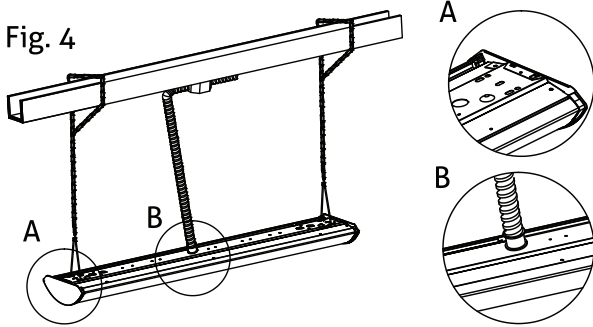
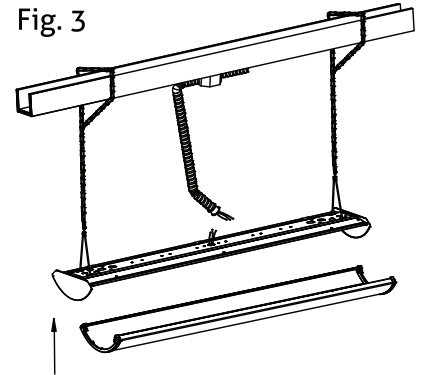
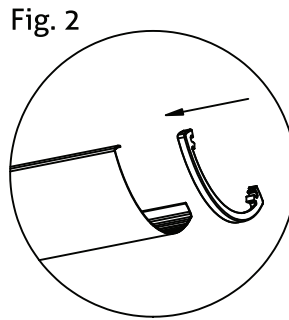
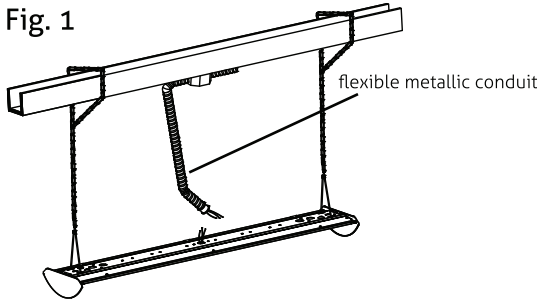
This device complies with part 15 of the FCC rules. Operation is subject to the following two conditions: (1) This device may not cause harmful interference, and (2) this device must accept any interference received, including interference that may cause undesired operation.

CAUTION: Turn off the power at fuse or circuit breaker box before installation and maintenance. NOTE: This fixture is suitable for 120 volt circuits. Fixture must be installed according to National Electric Code and local building codes. If you are unsure about wiring, consult a qualified electrician. Suitable for Damp Locations.

0-10V DIMMABLE
Compatible with most wall based 0-10V dimming controllers

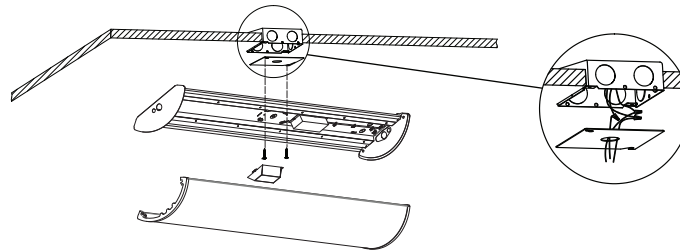


Chain Suspended Mounting



- Step 1:** Mount V-hooks to the fixture (Fig. 1)
- Step 2:** Mount plastic trims to the lens (Fig. 2)
- Step 3:** Install the lens by hanging from end plate pins of the fixture and rotate into position. Flex the lens to engage end plate pins on opposite side of the fixture. (Fig. 3 and 4)
- Step 4:** Connect the wires to the AC power grounding leads, make sure the wires are enclosed into the flexible metallic conduit.

Surface Mounting



- Step 1:** Remove lens from fixture. Align the fixture over junction box and mark locations of mounting holes. Set the fixture aside.
- Step 2: DRYWALL MOUNTING:** If the mounting holes go through drywall without a stud, drill four small pilot holes using a 1/8-in. drill bit (not included), and install drywall anchors into the holes with a hammer (not included).
- CEILING STUD MOUNTING:** If the mounting holes go through ceiling studs, drill four small pilot holes using a 5/32-in. drill bit (not included) for the wood screws. NOTE: Do not install wood screws yet.
- Step 3:** Hold fixture up to junction box and connect the supply wires to the fixture wires -- black to black, white to white, and green to copper/bare.
- Step 4:** Align the fixture mounting holes to the pilot holes in the ceiling. Secure fixture to the surface with screws. Reinstall lens to the fixture.

